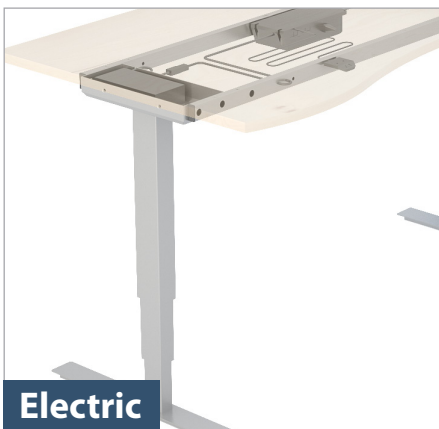


## ➤ **BOX FRAME** Version 18.10

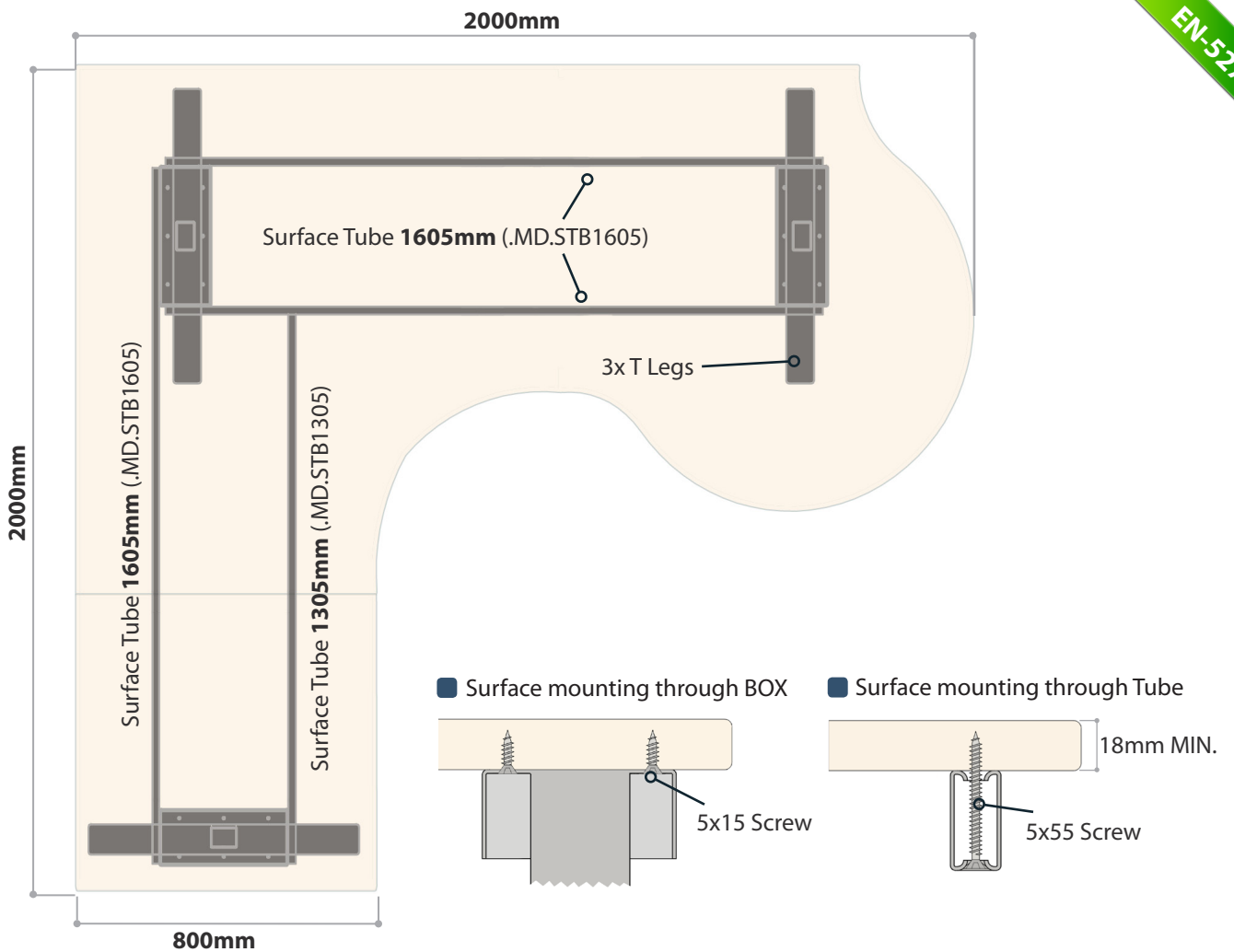
The BOX Frame is the perfect solution if you need to build a height adjustable desk or you just need a T type leg. This frame is compatible with E-Cube electric legs.





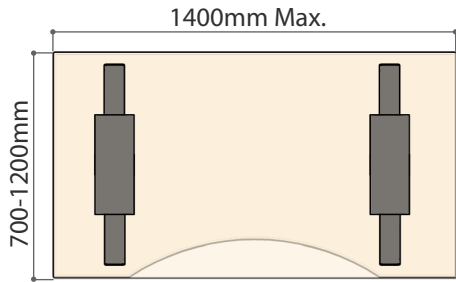
## Usage Example

This frame consists of two or three legs and surface tubes. You can build a sit or stand workstation which can later be upgraded to a three leg frame or even to electric motors. The feet come in three basic sizes and you can use different sizes on one frame.



# Examples

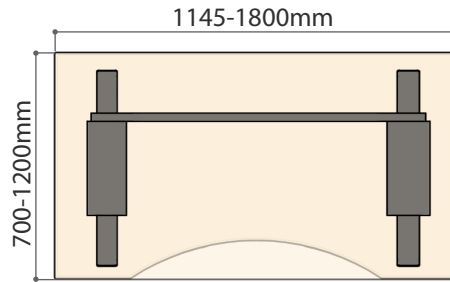
## Frame 1



Min. Recommended Tabletop Width : 25mm

Component	Size	Quantity
T-Leg	x	2

## Frame 2

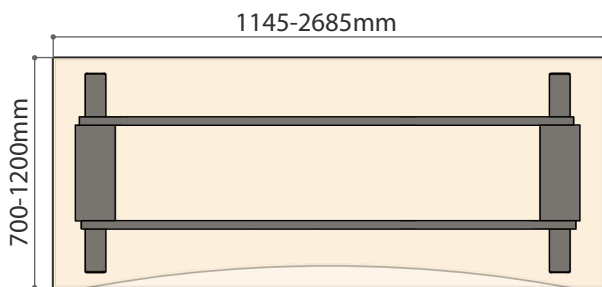


Min. Recommended Tabletop Width : 25mm

Component	Size	Quantity
T-Leg	x	2
Surface Tube	1205	1

## Frame 3

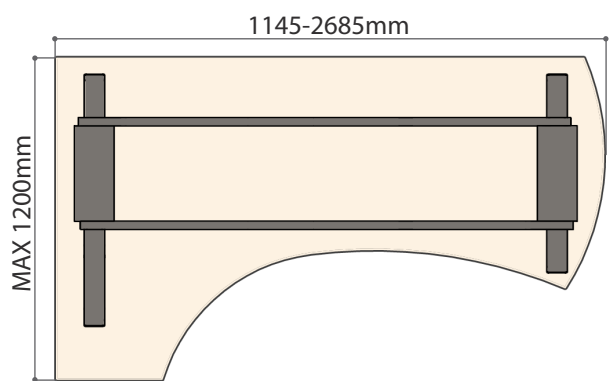
EN-527



Component	Size	Quantity
T-Leg	x	2
Surface Tube	1505	2

## Frame 4

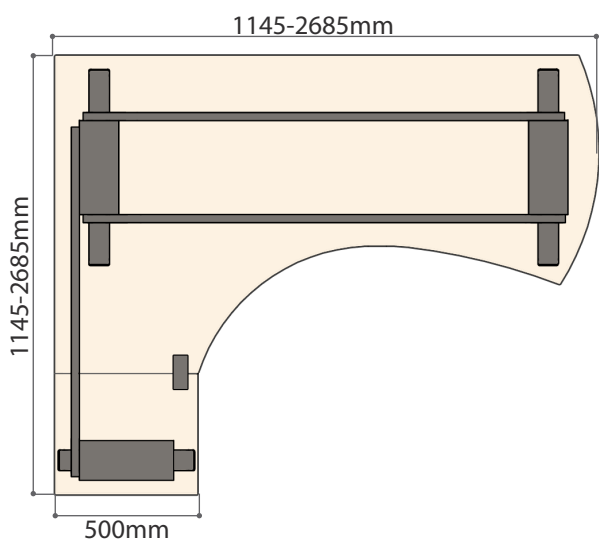
EN-527



Component	Size	Quantity
T-Leg (730mm Foot)	x	1
T-Leg (900mm Foot)	x	1
Surface Tube	1505	2

## Frame 5

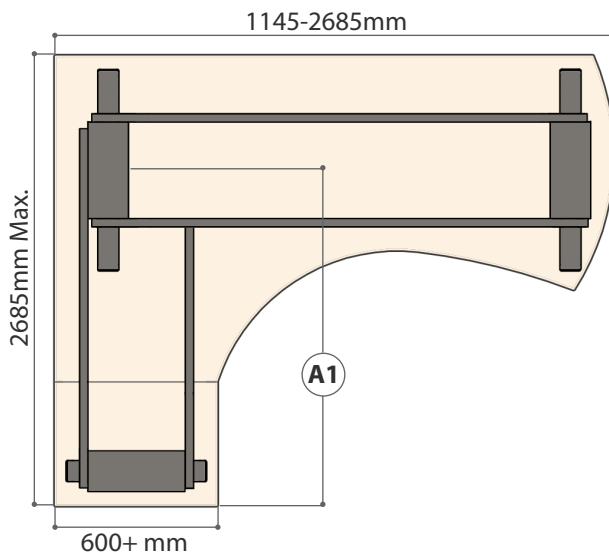
EN-527



Component	Size	Quantity
T-Leg (730mm Foot)	x	2
T-Leg (500mm Foot)	x	1
Surface Tube	1505	2
Surface Tube	1305	1
Surface Connector	x	1

## Frame 6

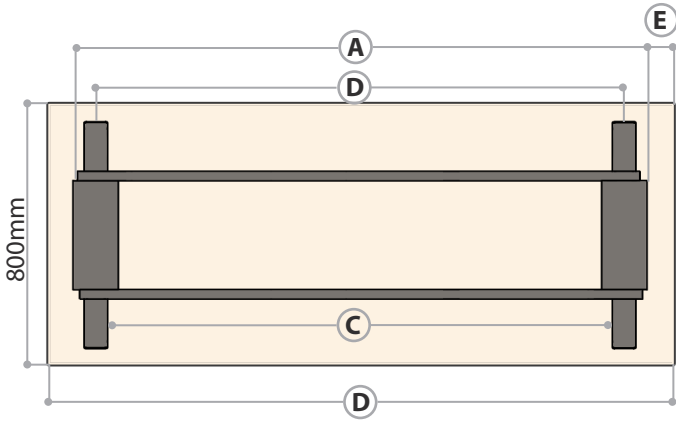
EN-527



Component	Size	Quantity
T-Leg (730mm Foot)	x	2
T-Leg (500mm Foot)	x	1
Surface Tube	1505	2
Surface Tube	1305	1
Surface Tube	1005	1

# Surface tubes and Desk Build guidelines

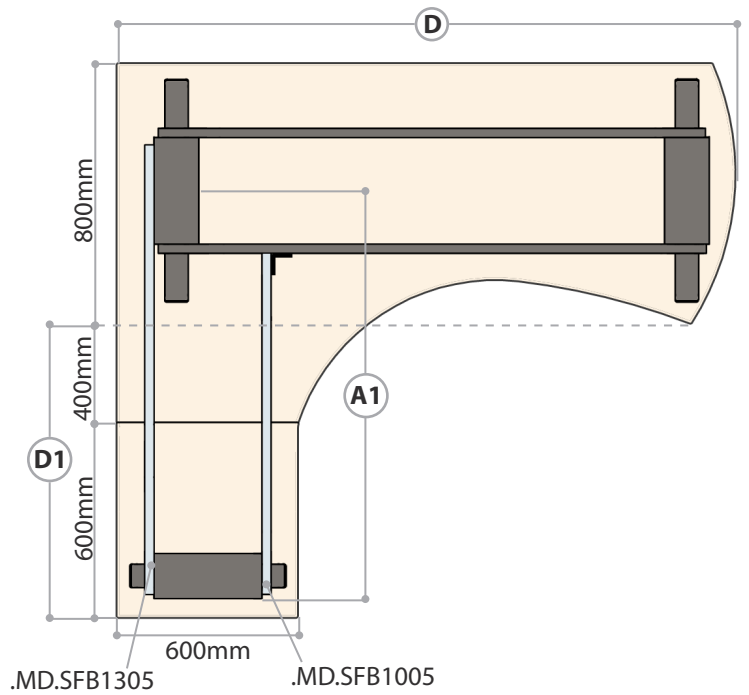
## 2-Leg System



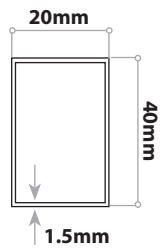
**A and E** relevance to other dimensions:

- A** – Frame Width = **Surface Tube + 40mm**
- B** – Distance between axles = **Surface Tube – 110mm**
- C** – Distance between feet = **Surface Tube - 185mm**
- D** – Tabletop width = **Surface Tube + 40mm + E**
- E** – Edge Overhang :  
 MIN = **50mm** from edge on each side  
 MAX = **220mm** from edge on each side

## 3-Leg System



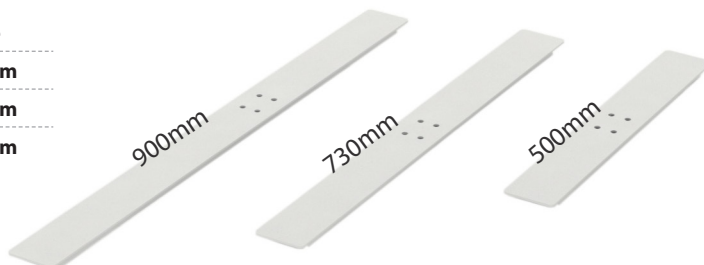
Product Code	Size (mm)	Frame Width	Distance between leg axles	Distance between feet	Tabletop Width		Side Table		
					A	B	C	D min	D max
.MD.STB1005	1005	1045	895	820	1145	1485	955	625	755
.MD.STB1040	1040	1080	930	855	1180	1520	990	660	790
.MD.STB1105	1105	1145	995	920	1245	1585	1055	725	855
.MD.STB1140	1140	1180	1030	955	1280	1620	1090	760	890
.MD.STB1205	1205	1245	1095	1020	1345	1685	1155	825	955
.MD.STB1240	1240	1280	1130	1055	1380	1720	1190	860	990
.MD.STB1305	1305	1345	1195	1120	1445	1785	1255	925	1055
.MD.STB1330	1330	1370	1220	1145	1470	1810	1280	950	1080
.MD.STB1440	1440	1480	1330	1255	1580	1920	1390	1060	1190
.MD.STB1505	1505	1545	1395	1320	1645	1985	1455	1125	1255
.MD.STB1605	1605	1645	1495	1420	1745	2085	1555	1225	1355
.MD.STB1640	1640	1680	1530	1455	1780	2120	1590	1260	1390
.MD.STB1705	1705	1745	1595	1520	1845	2185	1655	1325	1455
.MD.STB1905	1905	1945	1795	1720	2045	2385	1855	1525	1655
.MD.STB2205	2205	2245	2095	2020	2345	2685	2155	1825	1955



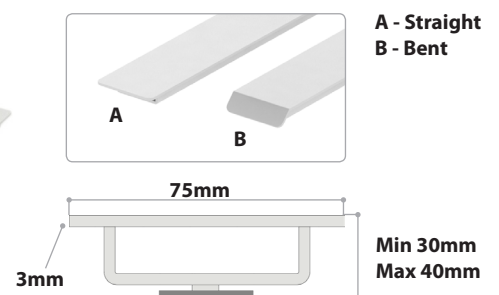
3-Leg System (Closed Frame)

## Feets

Product Code	Size
.MD-HFOT.A.500	500mm
.MD-HFOT.A.730	730mm
.MD-HFOT.A.900	900mm



## End Profile



# Legs

## Fixed Height Round



.MD.B.D60.720	
Frame Height	720mm
Desk Height	738mm
.MD.B.D60.1030	
Frame Height	1030mm
Desk Height	1050mm
Leg type according to EN 527-1:2011	
<b>C</b>	

## Fixed Height Square



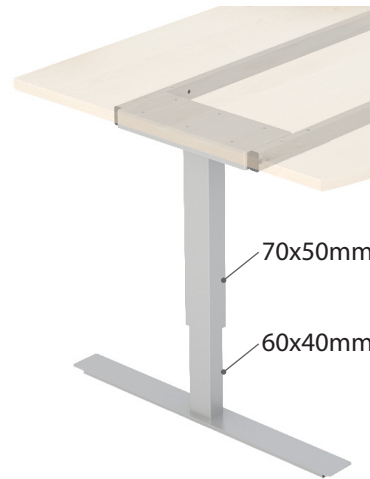
.MD.B.D60.720	
Frame Height	720mm
Desk Height	738mm
.MD.B.D60.1030	
Frame Height	1030mm
Desk Height	1050mm
Leg type according to EN 527-1:2011	
<b>C</b>	

## Selectable Height Round



.MD.B.SH.D65.650	
Frame Height	650-850mm
Desk Height	668-868mm
Stroke	200mm
Leg type according to EN 527-1:2011	
<b>B</b>	

## Selectable Height Square



.MD.B.SH.K60.650	
Frame Height	650-850mm
Desk Height	668-868mm
Stroke	200mm
Leg type according to EN 527-1:2011	
<b>B</b>	

## Compatible with Electric Leg



Frame Height	620-1270mm
Desk Height	638-1288mm
Stroke	650mm
Leg type according to EN 527-1:2011	
<b>A</b>	

## Standards

Products marked with **EN-527-1** fulfill the Standard requirements.

You can find the full Standards table in

**the Technical Section** or  
**www.mmdframes.com**



**!** Dimensional tolerance for all the products in this brochure is + - 1 mm ( 2mm for Legs)