

1

CC FRAME

Version 19.10

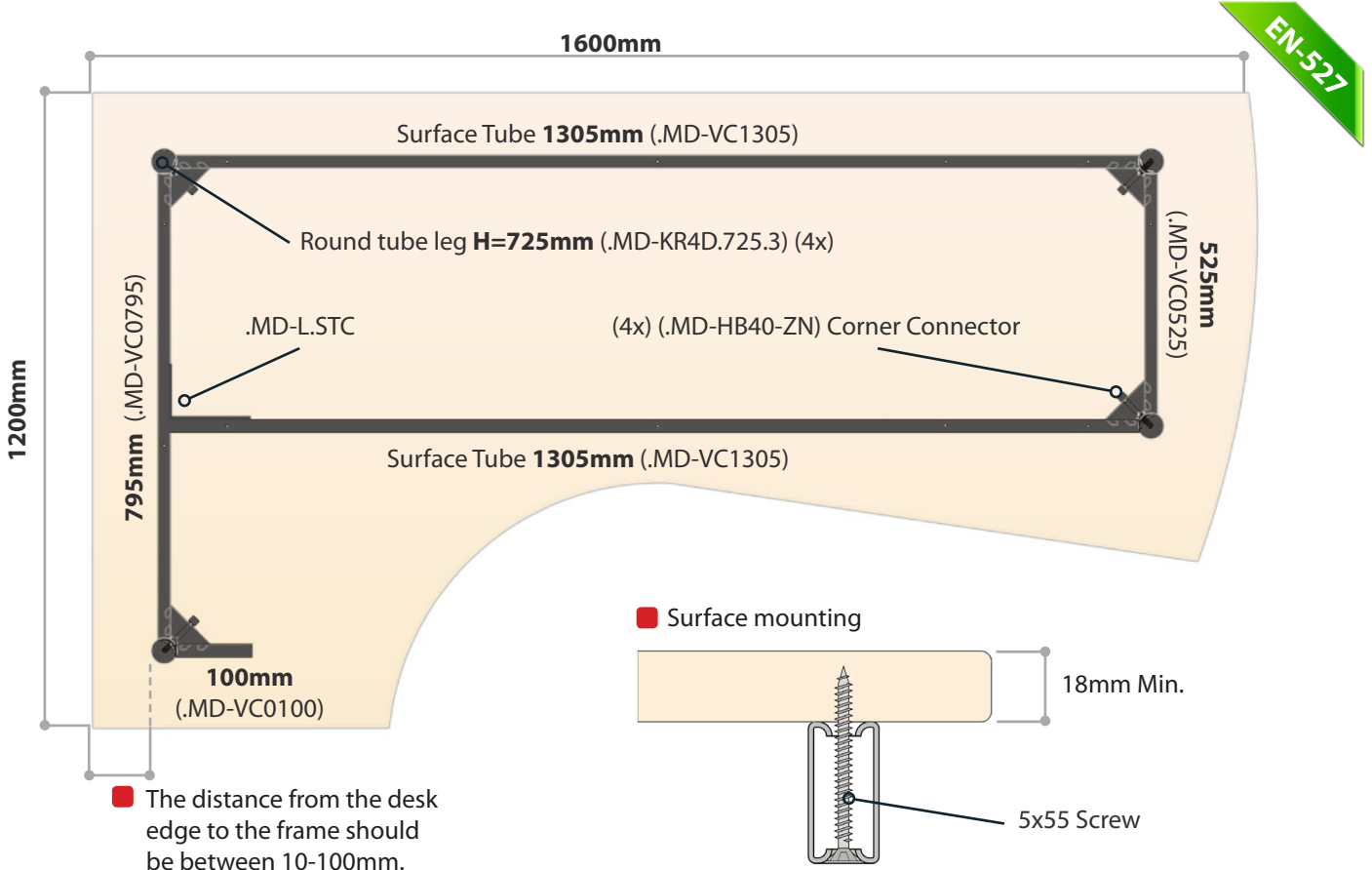
The CC Frame is based on our unique corner connector. This clever invention allows to make a reliable, affordable and yet a very stable desk frame construction. Its in the market for more than 20 years. It's a time-proven design !





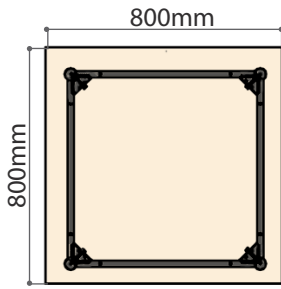
Usage Example

To build a frame for your desk you need to follow some basic guidelines and understand that this frame consists of three main elements - Corner connector, leg and surface tubes. By using these elements you can create various desk frames - see example below:



Configuration Examples

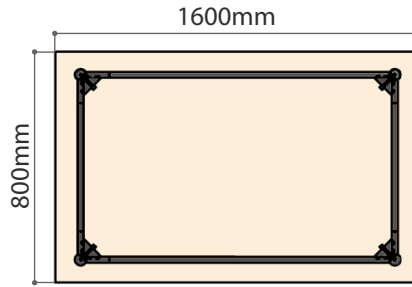
Frame 1



Product Code	Size	Quantity
Legs Ø 40mm	725mm	4
Surface Tubes	605mm	4
Corner Connector		4

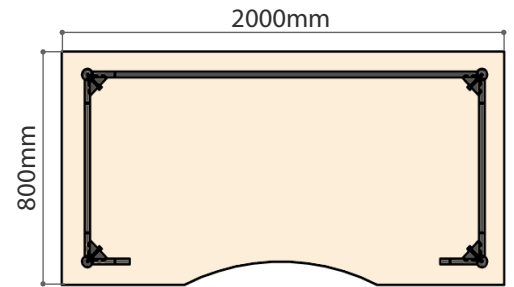
Frame 2

EN-527



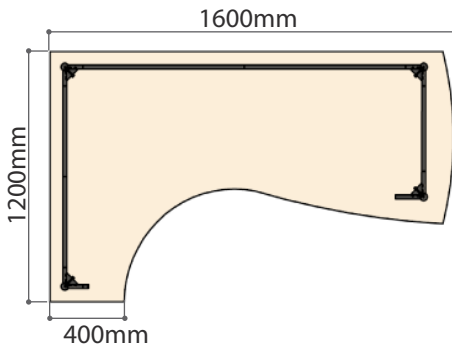
Product Code	Size	Quantity
Legs Ø 40mm	725mm	4
Surface Tubes	605mm	2
Surface Tubes	1330mm	2
Corner Connector		4

Frame 3



Product Code	Size	Quantity
Legs Ø 40mm	725mm	4
Surface Tubes	605mm	2
Surface Tube		1
Surface Tube Ends	100mm	2
Corner Connector		4

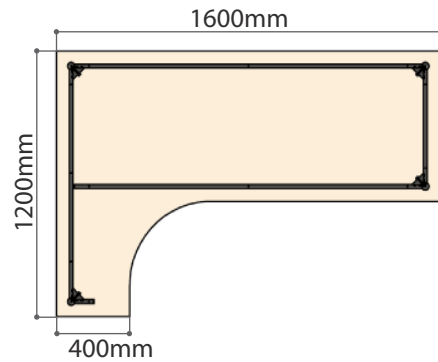
Frame 4



Product Code	Size	Quantity
Legs Ø 40mm	725mm	4
Surface Tube	605mm	1
Surface Tube	920mm	1
Surface Tube	1330mm	1
Surface Tube Ends	100mm	2
Corner Connector		4

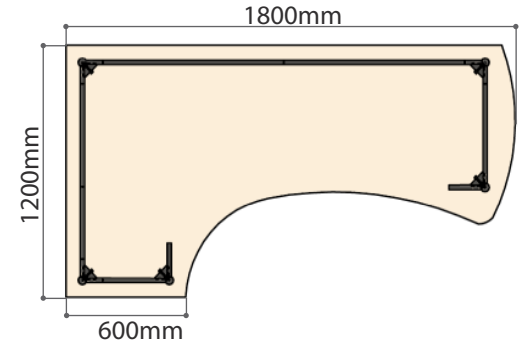
Frame 5

EN-527



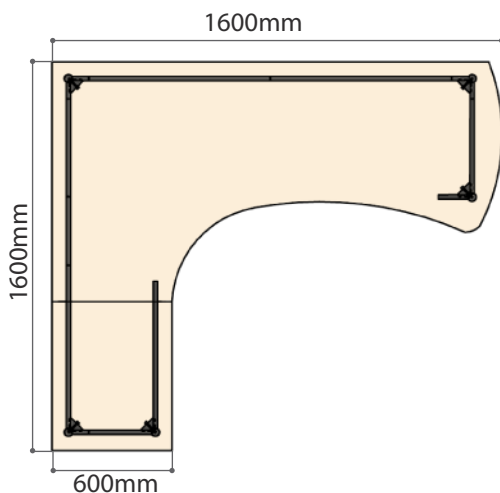
Product Code	Size	Quantity
Legs Ø 40mm	725mm	4
Surface Tube	605mm	1
Surface Tube	920mm	1
Surface Tubes	1330mm	2
Surface Tube End	100mm	1
Tube Connector		1
Corner Connector		4

Frame 6



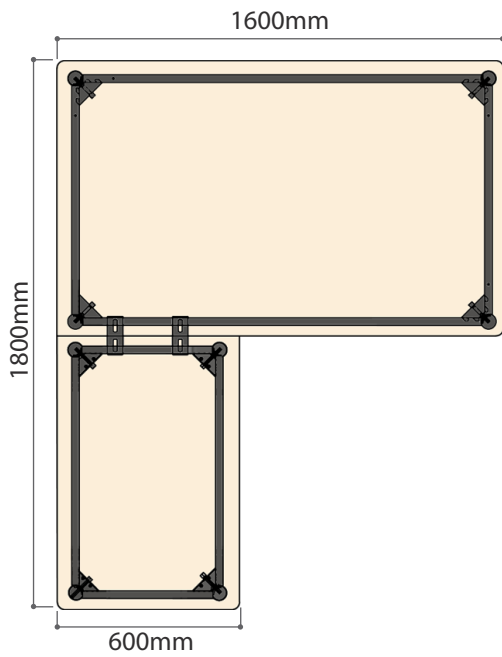
Product Code	Size	Quantity
Legs Ø 40mm	725mm	5
Surface Tube	605mm	1
Surface Tube	920mm	1
Surface Tube	1330mm	1
Surface Tube	420mm	1
Surface Tube Ends	100mm	2
Corner Connector		5

Frame 7



Product Code	Size	Quantity
Legs Ø 40mm	725mm	5
Surface Tube	605mm	1
Surface Tubes	1330mm	2
Surface Tube End	100mm	1
Surface Tube	420mm	1
Surface Tube	705mm	1
Corner Connector		5

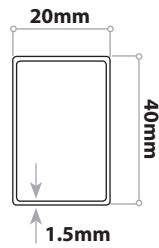
■ Frame 8



Product Code	Size	Quantity
Legs Ø 40mm	725mm	7
Surface Tube	760mm	4
Surface Tubes	1330mm	2
Surface Tube	505mm	2
Corner Connector		8
Connecting Plate		2
U-ben		1

■ Surface Tubes

Product Code	Length (mm)
MD.VC0305	305
MD.VC0505	505
MD.VC0555	555
MD.VC0605	605
MD.VC0655	655
MD.VC0705	705
MD.VC0795	795
MD.VC0855	855
MD.VC0905	905
MD.VC1005	1005
MD.VC1105	1105
MD.VC1205	1205
MD.VC1305	1305
MD.VC1505	1505
MD.VC1605	1605
MD.VC1705	1705
MD.VC1905	1905
MD.VC2205	2205

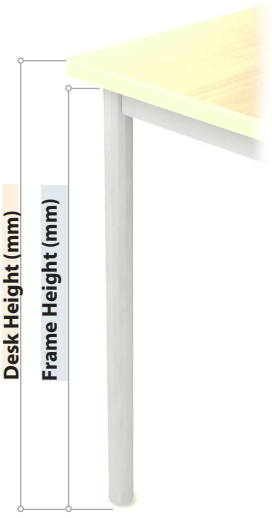


Legs

Square and Round Leg

Furniture height with **18mm** tabletop and **plugs and levelers**

EN-527



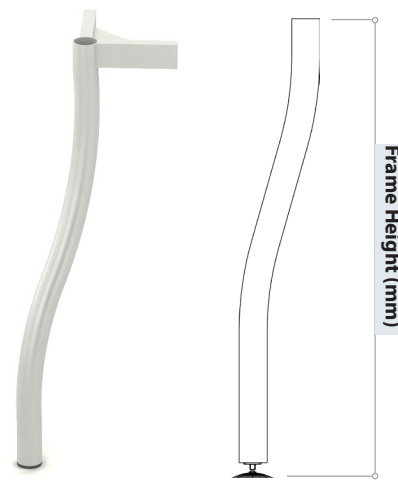
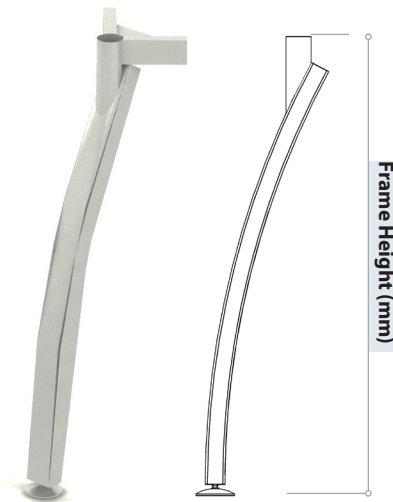
	Standard end plug	Adjustable glide	Plug with threaded hole and feet	Welded thread with adjustable feet	Adjustable glide	Telescopic metal tubes
	1	2	3	4	5	6
Frame Height (mm)	710	715-725	720-730	725-740	640-820	630-830
Desk Height (mm)	728	733-743	738-748	743-758	658-838	648-848
.MD-KR4K.710.3	<input type="checkbox"/> 40x40mm	•	•	•	•	•
.MD-KR5K.710.3	<input type="checkbox"/> 50x50mm	•	•	•	•	•
.MD-KR4D.710.3	<input type="radio"/> Ø 40mm	•	•	•	•	•
.MD-KR5D.710.3	<input type="radio"/> Ø 50mm	•	•	•	•	•
Leg type according to EN 527-1:2011	C	C	C	C	D	B

Curved Leg 50x20mm

Product Code	Frame Height	Desk Height
.MD-KLRP.0720	720mm	738mm

Curved Leg Ø40

Product Code	Frame Height	Desk Height
.MD-KR4DL.720.3	720mm	738mm



Standards

Products marked with **EN-527-1** fulfill the Standard requirements.

You can find the full Standards table in **the Technical Section**

A B C D

or

www.mmdframes.com

! Dimensional tolerance for all the products in this brochure is + - 1 mm (2mm for Legs)

Distancers - Freestanding Legs



In certain situations you could use a free-standing leg together with the frame.

Other Elements

Corner Connector



Product Code

.MD-HB40-ZN For 40mm
.MD-HB50-ZN For 50mm

Corner Tube



Product Code

.MD-UBEN

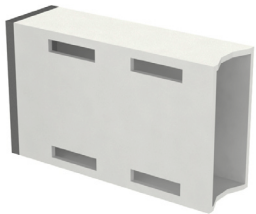
Connecting Plate



Product Code

.MD-CPLATE

Surface Tube End



Product Code

.MD.VC0065 65mm
.MD.VC0100 100mm

Surface Tube Connector



Product Code

.MD-L.STC

Surface Tube Holder



Product Code

.MD-RFFV-ZN

Surface Connector



Product Code

.MD-MART.SAV-ZN

Screen Holder



Product Code

.MD-SKAVA40 Ø40
.MD-SKAVA50 Ø50

Wheel